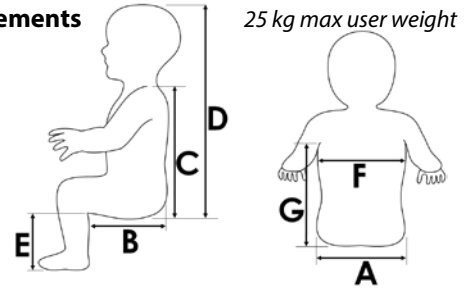


**User Measurements**

- (A) Seat Width
- (B) Seat Length
- (C) Backrest Height
- (D) Seat to Head Height
- (E) Footplate Height
- (F) Chest Width
- (G) Axilla Height


**Discovery Measurements**


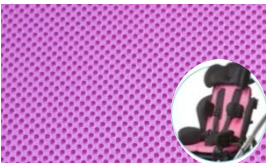


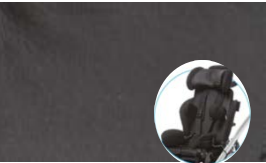
- 13-27 cm
- 13-30 cm
- 24-39 cm
- 45-58 cm
- 14-28 cm
- 12-25 cm
- 13-34cm







**Client/User Name:**




**DOB:**     /     /

<b>SEAT UNIT</b>	Includes:	 2006-0010-500 <input type="checkbox"/>
	<ul style="list-style-type: none"> <li>- 40° Integrated tilt-in-space mechanism</li> <li>- Up to 160° of backrest recline</li> <li>- Elevated footplate (from 90° to 160°)</li> <li>- Height adjustable backrest</li> <li>- Seat depth adjustment</li> <li>- Seat canopy seat mounted, including mounts</li> </ul>	

<b>SELECT UPHOLSTERY</b>	Select Colour: Includes backrest upholstery, standard seat cushion and side wing padding				
	 Ocean (Breathable Fabric) 2006-0150-060 <input type="checkbox"/>	 Calypso (Breathable Fabric) 2006-0150-028 <input type="checkbox"/>	 Mango (Breathable Fabric) 2006-0150-030 <input type="checkbox"/>	 Jet Black (Breathable Fabric) 2006-0150-099 <input type="checkbox"/>	 Ink Black (Wipe-down Fabric) 2006-0150-209 <input type="checkbox"/>

<b>SEAT OPTIONS</b>			
	Modular seat cushion (not compatible with thigh/ trochanter wedges) 2006-0611-xxx <input type="checkbox"/>	Thigh Wedges on Velcro attachment (cut to required depth) 2006-0505-000 <input type="checkbox"/>	Trochanter Wedges on Velcro attachment (cut to required depth) 2006-0660-000 <input type="checkbox"/>

<b>BACKREST OPTIONS</b>				
	Sacral foam insert on Velcro attachment 2006-2510-000 <input type="checkbox"/>	Foam spacer to adhere behind primary Sacral insert (adds thickness) 10cm x 18cm 2006-2515-000 <input type="checkbox"/>	Shoulder protraction wedge on Velcro attachment 2006-2750-000 <input type="checkbox"/>	1/2" soft Sunmate foam overlay up to shoulder strap height (allows greater immersion) 2006-2390-300 <input type="checkbox"/>

<b>LATERAL OPTIONS</b>			
	Contoured (black) 9 cm high x 13 cm deep Jet (Breathable)     Ink (Wipe-down) 2006-3030-099 <input type="checkbox"/> 2006-3030-209 <input type="checkbox"/>	Size 1 Teardrop (black) – long trunk support: 13.5 cm high x 7.5 cm deep Jet (Breathable)     Ink (Wipe-down) 2006-3110-099 <input type="checkbox"/> 2006-3110-209 <input type="checkbox"/>	Size 2 Teardrop (black): long trunk support: 15.5 cm high x 10.5 cm deep Jet (Breathable)     Ink (Wipe-down) 2006-3120-099 <input type="checkbox"/> 2006-3120-209 <input type="checkbox"/>

<b>HIP, THIGH GUIDES, POMMEL</b>				
	Hip Guides: width, depth & angle adjustable (black) Jet (Breathable) 2006-1010-099 <input type="checkbox"/> Ink (Wipe-able) 2006-1010-209 <input type="checkbox"/>	Additional hip guide mounting bracket (may be required for seat depths greater than 22cm) 2006-1012-000 <input type="checkbox"/>	Pommel: abductor, quick release (black, 3.5 cm wide). Use only with standard cushion. Jet (Breathable) 2006-1610-099 <input type="checkbox"/> Ink (Wipe-able) 2006-1610-209 <input type="checkbox"/>	Adjustable knee adductors: (black). Use without hip guides or seat depth greater than 27cm Jet (Breathable) 2006-1110-099 <input type="checkbox"/> Ink (Wipe-able) 2006-1110-209 <input type="checkbox"/>

<b>HEADREST</b>				
	Adjustable headrest wings (required for all headrest supports) Jet (Breathable) 2006-4460-099 <input type="checkbox"/> Ink (Wipe-able) 2006-4460-209 <input type="checkbox"/>	Occipital Support headrest with removable depth adjuster leaf Jet (Breathable) 2006-4101-099 <input type="checkbox"/> Ink (Wipe-able) 2006-4101-209 <input type="checkbox"/>	Standard Lateral Support headrest with removable depth adjuster leaf Jet (Breathable) 2006-4201-099 <input type="checkbox"/> Ink (Wipe-able) 2006-4201-209 <input type="checkbox"/>	Extended Lateral Support headrest with removable depth adjuster leaf Jet (Breathable) 2006-4301-099 <input type="checkbox"/> Ink (Wipe-able) 2006-4301-209 <input type="checkbox"/>

<b>TRAY</b>			
	Height, depth, angle adjustable tray with seat pan tray mount brackets 2006-7110-000 <input type="checkbox"/>	2.5 cm soft foam padded tray top, zip on, wipe-down cover 2006-7450-000 <input type="checkbox"/>	Quick release grab rail only (for tray) 2006-7210-000 <input type="checkbox"/>

<b>HIP BELTS &amp; HARNESSSES</b>					
	2 pt Hip belt; slimline, dual centre pull, neoprene sleeves 2006-6251-027 <input type="checkbox"/>	4 pt hip belt; dual centre pull; side release buckle 2006-6420-027 <input type="checkbox"/>	Shoulder /crotch strap set; with shoulder and comfort pads 2006-6516-027 <input type="checkbox"/>	Centrepont harness X-Small 2006-6660-017 <input type="checkbox"/>	Sternum harness (not suitable for use with gastronomy tubes) 2006-6751-027 <input type="checkbox"/>

<b>SPOINT HARNESSSES</b>		
	5 point harness on tee pad for babies & very small children 2006-6551-000 <input type="checkbox"/>	5 point harness with 5 way buckle and padded sleeves Jet (Breathable) 2006-6511-099 <input type="checkbox"/> Ink (Wipe-down) 2006-6511-209 <input type="checkbox"/>

<b>FOOTPLATE OPTIONS</b>					
	Velcro Foot straps 2006-6060-000 <input type="checkbox"/>	Velcro Ankle straps 2006-6151-000 <input type="checkbox"/>	Footplate extension (conflicts with Moon Buggy max. ranges) 2006-5130-000 <input type="checkbox"/>	Footplate neoprene protection cover Std: 2006-5305-000 <input type="checkbox"/> Ext: 2006-5335-000 <input type="checkbox"/>	Dorsiflexion wedge (closed cell foam, Velcro attached) 2006-5330-000 <input type="checkbox"/>

<b>MOBILITY BASE</b>				
	Verve Buggy; 4 wheeled 2006-0040-000 <input type="checkbox"/>	Verve Sibling Seat (Black) 2006-8670-000 <input type="checkbox"/>	Verve Buggy Tie-Down kit; Required for vehicle transportation (ISO 7176-19) 2006-0041-000 <input type="checkbox"/>	Moon Buggy; 3 wheeled 2006-0011-000 <input type="checkbox"/>

<b>INDOOR BASES</b>				
	Launcher 2006-0012-000 <input type="checkbox"/>	A-Frame Launcher 2005-0012-100 <input type="checkbox"/>	Lunar 2006-0013-000 <input type="checkbox"/>	Moon Rock 2006-0014-000 <input type="checkbox"/>

<b>FRAME EXTRAS/WEATHER</b>						
	Oxygen Cylinder 2006-8250-000 <input type="checkbox"/>	IV Pole 2006-8270-000 <input type="checkbox"/>	Single Rain Cover (for front seat only) 2006-7620-000 <input type="checkbox"/>	Double Rain Cover (for both seats) 2006-7622-000 <input type="checkbox"/>	Single UV Shade Cover (front seat) 2006-7720-000 <input type="checkbox"/>	Double UV Shade Cover (both seats) 2006-7722-000 <input type="checkbox"/>

<b>NOTES</b>	<b>Clinician/Therapist Name:</b>
	<b>Contact Phone:</b>
	<b>Email Address:</b>
	<b>Delivery Address:</b>
	<b>Notes:</b>